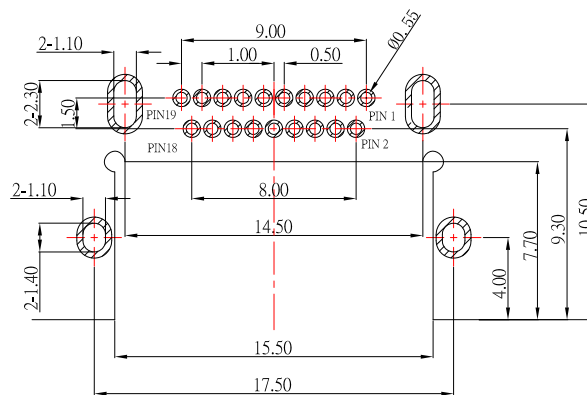
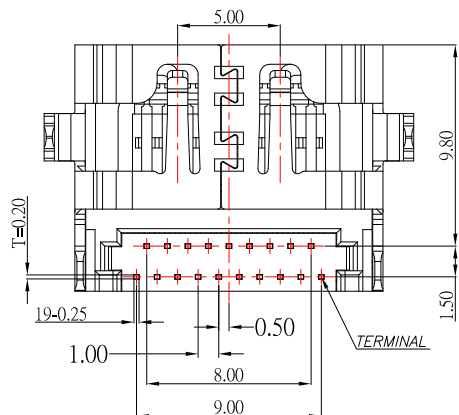
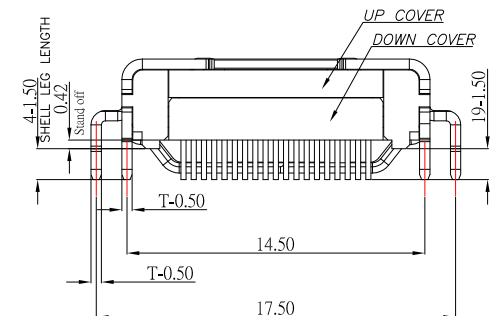
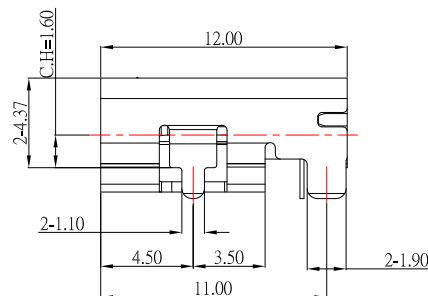
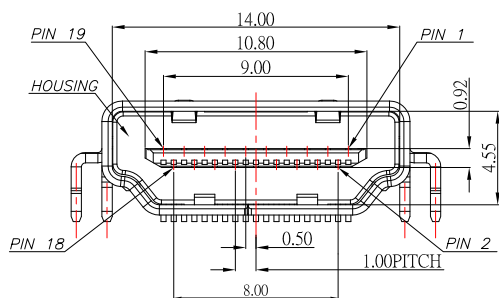
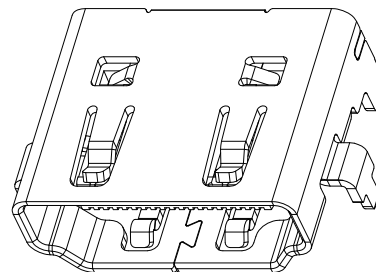
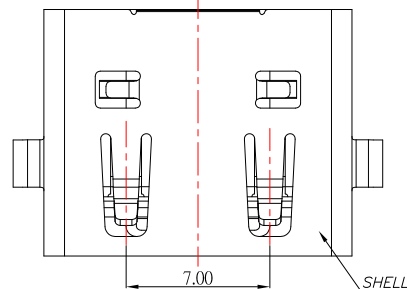




HDMI-19P-D07x-S273

鍍層厚度：

| |
|-------------|
| Blank : 1u" |
| 2 : 15u" |
| 3 : 30u" |



RECOMMENDED PCB LAYOUT(TOP VIEW)

Material:

- 1.Housing: LCP,UL 94V-0
2. Cover: LCP,UL 94V-0
- 3.Contact: Brass
- 4.Shell: Stainless Steel

Finish:

- 1.Contact: Plated Gold in Mating Area ;
Gold Plated on Solder Balls ;
Nickel under plated overall
- 2.Shell: Nickel under Plated surface layer



TOLERANCE UNLESS OTHERWISE STATED :

Up to 5 ±0.2
Above 5 ~ 15 ±0.3
Above 15 ~ 30 ±0.4
Above 30 ~ 50 ±0.5
Angle ±0.3°

3RD. ANGEL'S



UNITS

MM

DRAWN BY: Jack Lu
CHECKED BY: Jacky Chen
APPROVED BY: Tony Kao
DATE: 11/10/14
DATE: 11/10/14
DATE: 11/10/14

MAT'L
FINISH
SCALE: 1 : 1
SHEET NO.: 1 of 1

TITLE: CONNECTOR
MODLE: HDMI A/F DIP 沉板 / 板上:4:37
DWG NO.: HDMI-19P-D07x-S273
PART NO.: HDMI-19P-D07x-S273

| ITEM NO. | DESCRIPTION | DRAWN | DATE |
|----------|-------------|-------|--------|
| 1 | 删除DATE CODE | Jack | 111014 |